

Battery back-up power supplies 12/24/48 VDC

ADA 125W/250W DC UPS



Features

- » 125W-250W output power ranges
- » 12VDC, 24VDC & 48 VDC output voltages
- » Input voltage range 184-264VAC
- » Battery capacity 12VDC/14Ah, 24V/7Ah or 48V/2Ah
- » EXU extra battery units for extended backup
- » Temperature compensated battery charging
- » Battery Low Voltage Disconnecter
- » Relay alarms, charger
- » Operating temperature -20°C...+45 °C with batteries
- » EMC Generic EN 61000-6-1/ -2/ -3/ -4

More battery capacity available with EXU extra battery unit
ADA and EXU installation side by side or one on top of another

Certifications



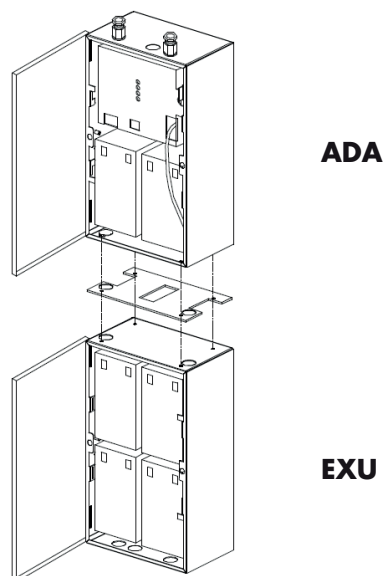
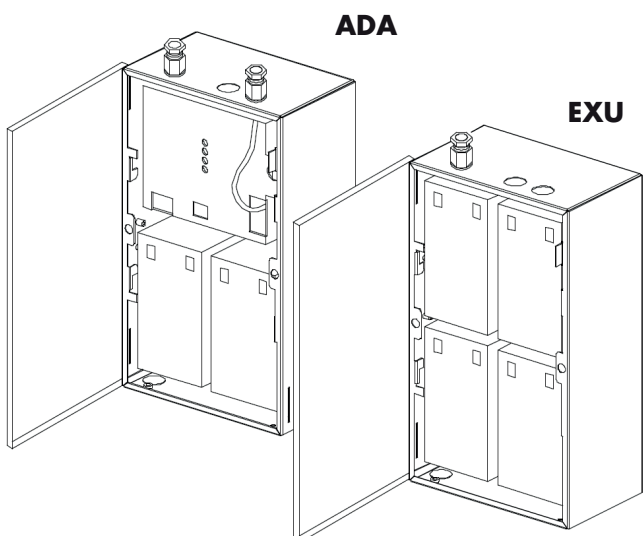
- » Compact size
- » Easy to install
- » Safe construction
- » Temperature compensation
- » Deep discharge protection
- » Power fail signal
- » 15A output MCB
- » Mains connection with plug or screw terminal
- » Optional tamper switch

Use cases



Product description

The ADA 125W-250W DC UPS units provide battery back-upped power supply for security, industrial and Information technology (routers or equal with lower power). Battery charger, batteries and monitoring are all included in these compact, wall mountable packages, which are easy and fast to install.



POWER SUPPLIES WITH BATTERY BACK-UP

Type *) See <u>x</u> below	Available <u>x</u> selection codes (others on request)	Input Voltage	Nominal Output Voltage	Output Current	Battery Capacity	Installation / dimensions (Width x Height x Depth)
ADA473<u>x</u>	<u>x</u> = 0	230 VAC	12 VDC	10 A	14 Ah	Wall / 188 x 317 x 110mm
ADA474<u>x</u>	<u>x</u> = 0, 2, 3	230 VAC	24 VDC	5 A	7 Ah	Wall / 188 x 317 x 110mm
ADA498<u>x</u>	<u>x</u> = 0, 2, 3	230 VAC	24 VDC	10 A	7 Ah	Wall / 188 x 317 x 110mm
ADA457<u>x</u>	On request	230 VAC	48 VDC	2.5 A	2 Ah	Wall / 188 x 317 x 110mm
ADA499<u>x</u>	On request	230 VAC	48 VDC	5 A	2 Ah	Wall / 188 x 317 x 110mm
EXU708<u>x</u>	On request	External battery unit 12VDC 28Ah				Wall / 188 x 317 x 110mm
EXU709<u>x</u>	On request	External battery unit 24VDC 14Ah				Wall / 188 x 317 x 110mm
EXU710<u>x</u>	On request	External battery unit 48VDC 7Ah				Wall / 188 x 317 x 110mm

x selection code:

0 = with batteries / without tamper switch
2 = with batteries / with tamper switch

1 = without batteries / without tamper switch
3 = without batteries / with tamper switch

INPUT

Input voltage range	184...264 VAC
Frequency	45...65Hz
Efficiency ($U_{in} = 230$ VAC, 100% load)	ADA473x / 85%, ADA474x / 87%, ADA498x / 88% ADA457x / 87%, ADA499x / 89%
Isolation:	input / ground input / output output / ground
Inrush-current	Limited by 7R NTC-resistor
Over voltages	Protected by 275V 72J VDR-resistor
Input fuse	T4A
Approvals	CE-marking

OUTPUT

	12 V	24 V	48V
Charging voltage (50% load)	13.7 V	27.3 V	54.6 V
Output adjustment (user adjustable)	11...15 V	23...29 V	45...58 V
Minimum voltage (deep discharge protection)	<10V± 0.3V	<20V± 0.5V	<40V± 0.5V
Ripple voltage (f = 20Hz...300kHz, $T_{amb} = 25^{\circ}\text{C}$)	<15mVrms	<15mVrms	<15mVrms
Load regulation ($I_{out} = 10...100\%$)	± 1.5%	± 1 %	± 0.5%
Line regulation ($U_{inmin}...U_{inmax}$)	± 0.1 %	± 0.1 %	± 0.1 %
Output current, charger	10 A	5 A, 10 A	2.5 A, 5 A
Current limit, charger	< 11 A	< 6 A, < 11 A	< 3 A, < 6 A
Short circuit current limiting, charger + battery	circuit breaker 15A		

BATTERY BACK-UP

	12 V	24 V	48V
Battery capacity	14Ah	7Ah	2Ah
Battery type Genesis / Yuasa	NP 7-12 7Ah 12V	NP 7-12 7Ah 12V	NP 2-12 2Ah 12V
Battery back-up time (typical)	10A / 45min 2A / 5h	5A / 45min 1A / 5h	2A / 25min 0.5A / 2.5h
Temperature compensation for battery	2k2 NTC-resistor		
Deep discharge protector for battery	release at 10V	release at 20V	release at 40V

INDICATIONS AND ALARMS

Charger output OK	Green LED is on
Power Fail (mains failure, charger failure)	Potential free open and closing relay contacts; Relay 24VDC/0.3A or 30VAC/0.5A
Door open tamper switch (if ordered)	Mircroswitch, open and closing contact

MECHANICS

Dimensions	See table on first page
Mounting	Wall / screw mounting
Weight	Without batteries <3kg With batteries 12V/8kg, 24V/8kg, 48V/5kg
Locking of the cover	By tool (screwdriver)
Enclosure	Steel case IP21

ENVIRONMENTAL

Operation temperature	-40°C...+55 °C without batteries -20°C...+45 °C with standard batteries
Humidity	85% RH IEC68-2-30
Ventilation	Natural convection

CONNECTORS

Input	2.5mm ² 3-pole screw terminal (L-N-PE) Inlet through the cover, 1.5m power cord included
Output	2.5 mm ² 9-pole screw terminal (++, --, Alarm, Battery) 2.5 mm ² 2-pole screw terminal (Door alarm) Inlet through the cover