

**Battery back-up power supplies 12/24/48 VDC**

# ADA 60W SERIES



**Features**

- » 60W output power ranges
- » 12VDC, 24VDC & 48 VDC output voltages
- » ADA60W Dual model has 24VDC and 12VDC outputs
- » Input voltage range 90-264VAC
- » Battery capacity 12VDC/14Ah, 24V/7Ah or 48V/2Ah
- » EXU extra battery units for extended backup
- » Temperature compensated battery charging
- » Relay alarms, charger
- » Operating temperature -20°C...+45 °C with batteries

**More battery capacity available with EXU extra battery unit**  
ADA and EXU installation side by side or one on top of another

**Certifications**



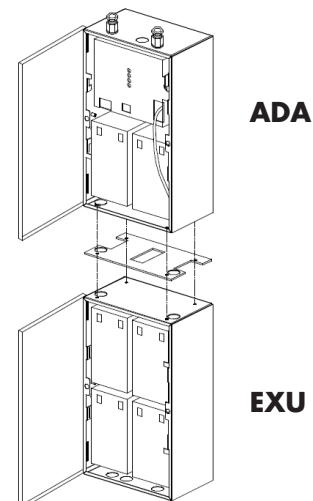
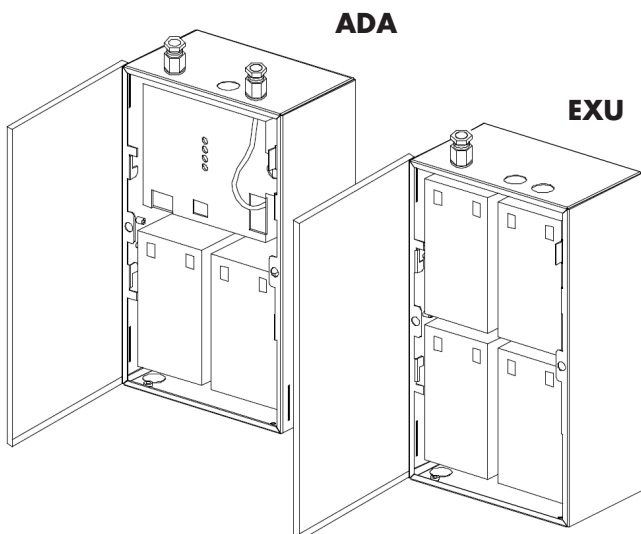
- » Compact size
- » Easy to install
- » Safe construction
- » Mains connection with plug or screw terminal
- » Tamper Switch
- » Temperature compensation
- » Power fail signal
- » Optional: n+1 redundancy

**Use cases**



**PRODUCT DESCRIPTION**

The ADA 60W DC UPS units provides battery back-upped supply for security, industrial and Information technology (routers or equal with lower power). Battery charger, batteries are all included to small compact wall mountable package, which is easy and fast to install.



# POWER SUPPLIES WITH BATTERY BACK-UP

Type *) See x below	Available x selection codes (others on request)	Input Voltage	Nominal Output Voltage	Output Current	Battery Capacity	Installation / dimensions (Width x Height x Depth)
<b>ADA742x</b>	x = 0	90...264 VAC	12 VDC	5 A	14 Ah	Wall / 188 x 317 x 110mm
<b>ADA743x</b>	x = 0, 3	90...264 VAC	24 VDC	2.5 A	7 Ah	Wall / 188 x 317 x 110mm
<b>ADA744x</b>	x = 2	90...264 VAC	48 VDC	1.25 A	2 Ah	Wall / 188 x 317 x 110mm
<b>EXU708x</b>	On request	External battery unit 12VDC 28Ah				Wall / 188 x 317 x 110mm
<b>EXU709x</b>	On request	External battery unit 24VDC 14Ah				Wall / 188 x 317 x 110mm
<b>EXU710x</b>	On request	External battery unit 48VDC 7Ah				Wall / 188 x 317 x 110mm

x selection code:

0 = with batteries / without tamper switch  
2 = with batteries / with tamper switch

1 = without batteries / without tamper switch  
3 = without batteries / with tamper switch

## INPUT

Input voltage range	90...264 VAC
Frequency	45...65Hz
Efficiency ( $U_{in} = 230$ VAC, 100% load)	82% - 85%
Safety	EN 62368-1
Isolation:	input / ground input / output output / ground
Inrush-current	Limited by 7R NTC-resistor
Over voltages	Protected by 275V 72J VDR-resistor
Input fuse	T2A
Approvals	CE-marking

## OUTPUT

	12 V	24 V	48V
Charging voltage (50% load)	13.7 V	27.3 V	54.6 V
Output adjustment (user adjustable)	10.5...15 V	21...29 V	45...58 V
Ripple voltage ( $f = 20$ Hz...300kHz, $T_{amb} = 25^{\circ}C$ )	<10mVrms	<10mVrms	<15mVrms
Load regulation ( $I_{out} = 10...100\%$ )	$\pm 1\%$	$\pm 0.5\%$	$\pm 0.5\%$
Line regulation ( $U_{inmin}...U_{inmax}$ )	$\pm 0.1\%$	$\pm 0.1\%$	$\pm 0.1\%$
Output current at charging voltage	$\geq 4.4$ A	$\geq 2.2$ A	$\geq 1.1$ A
Current limit, charger	< 8 A	< 4 A	< 2 A
Short circuit current limiting, battery	Fuse 10A	Fuse 6.3A	Fuse 4A

## BATTERY BACK-UP

	12 V	24 V	48V
Battery capacity	14Ah	7Ah	2Ah
Battery type Genesis / Yuasa	NP 7-12 7Ah 12V	NP 7-12 7Ah 12V	NP 2-12 2Ah 12V
Battery back-up time (typical)	4A / 3h 1A / 12h	2A / 3h 0.5A / 12h	1A / 1.5h 0.25A / 7h
Temperature compensation for battery	NTC-resistor 2k2	NTC-resistor 2k2	NTC-resistor 2k2

## INDICATIONS AND ALARMS

Charger output OK	Green LED is on
Power Fail (mains failure, charger failure or charger in current limiting mode)	Potential free open and closing relay contacts; Relay 24VDC/0.3A or 30VAC/0.5A
Door open tamper switch (if ordered)	Microswitch, open and closing contact

## MECHANICS

Dimensions	See table on first page
Mounting	Wall / screw mounting
Weight	Without batteries 2kg With batteries 12V/7kg, 24V/7kg, 48V/5kg
Locking of the cover	By tool (screwdriver)
Enclosure	Steel case Ip21

## ENVIRONMENTAL

Operation temperature	-40°C...+55 °C without batteries -20°C...+45 °C with standard batteries
Humidity	85% RH IEC68-2-30
Ventilation	Natural convection

## CONNECTORS

Input	2.5mm <sup>2</sup> 3-pole screw terminal (L-N-PE) Inlet through the cover, 1.5m power cord included
Output	2.5 mm <sup>2</sup> 2-pole screw terminal (+, -), Inlet through the cover
Battery	2.5 mm <sup>2</sup> 2-pole screw terminal (+, -)
Power fail alarm and battery temp.comp	2.5 mm <sup>2</sup> 5-pole screw terminal (Alarm NO, NC, COM, Temp.comp), Inlet through the cover, NTC resistor included in installation kit